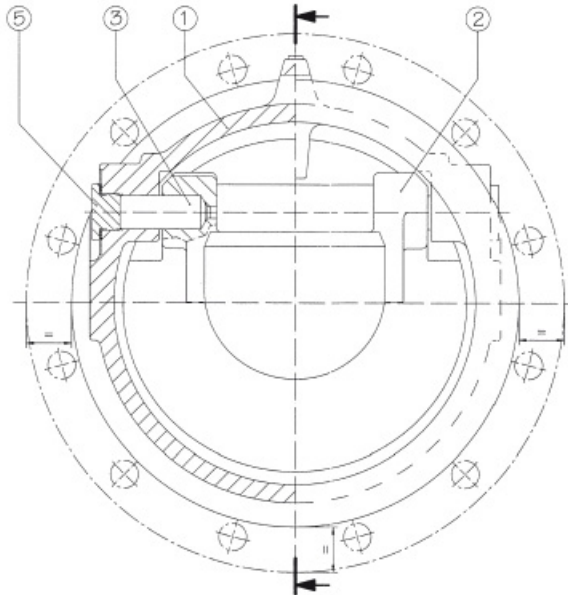


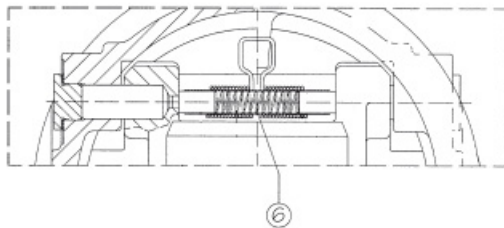
# CHECK VALVES

KRC-R-W-XC/M

Swing check valve, between flanges  
DN40-700



Flow direction marked in body with arrow



Basic model is delivered without spring

## PARTS

No.	Part	Material	
		Model SS	Model CS
1	Body	Stainless steel	Steel
2	Disc	Stainless steel	Steel
3	Stem	Stainless steel	
5	Cover	Stainless steel	
6	Spring	Stainless steel	

## PRESSURE RATINGS

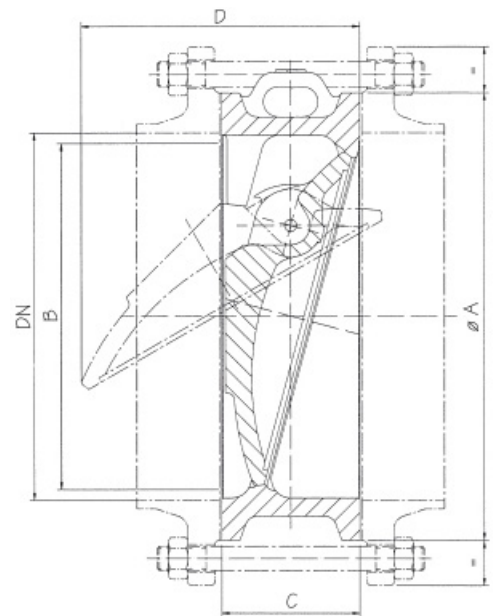
DN40-250	PN 10, 16, 25, 40
DN300-400	PN 10, 16, 25
≥ DN450	PN 10, 16 (on request 25)
ANSI	150 - 300

## OPTIONS

- » with springs
- » BS between flanges
- » with counterweight
- » with hydraulic brake

## DIMENSION AND WEIGHTS

DN	A	D	C	kg	
40	1 1/2"	94	45	33	0,9
50	2"	107	60	43	1,0
65	2 1/2"	127	70	46	1,6
80	3"	142	90	64	3,2
100	4"	162	102	64	4,5
125	5"	194	120	70	6,5
150	6"	219	140	76	9,4
200	8"	273	185	89	17,8
250	10"	329	220	114	26,0
300	12"	378	262	114	32,0
350	14"	438	310	127	47,0
400	16"	490	360	140	68,0
450	18"	539	400	152	84,0
500	20"	594	450	152	100,0
600	24"	696	535	178	150,0
700	28"	811	620	229	272,0



For pressure loss table, please see page 2

# CHECK VALVES

KRC-R-W-XC/M  
Swing check valve, between flanges  
DN40-700



## PRESSURE LOSS TABLE

